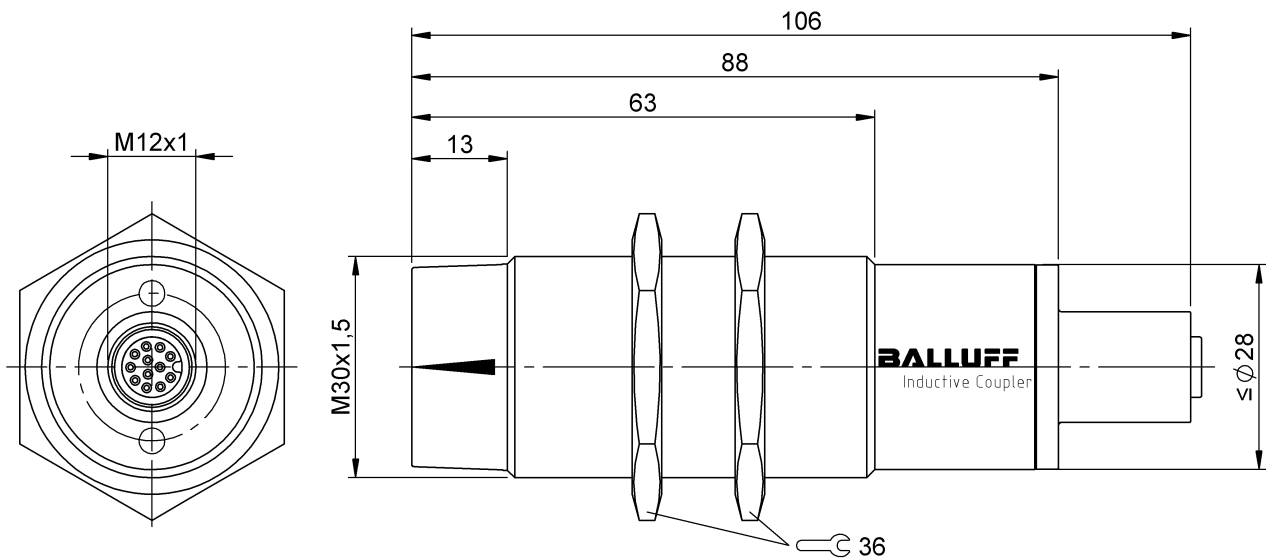


Inductive Couplers  
**BIC 2I3-P2A50-M30MI3-SM4ACA**  
 Order Code: BIC000A

**BALLUFF**



**Basic features**

Approval/Conformity	CE UKCA WEEE
Component	Remote
Function	Signal transmission
Use	for inductive coupler base BIC0009

**Display/Operation**

Function indicator	yes
--------------------	-----

**Electrical connection**

Connection 1	M12x1-Female, 12-pin
Connection 2	12-pin
Short-circuit protection	yes

**Electrical data**

Output voltage	24 VDC
Rated output current	500 mA
Ready delay tv max.	100 ms
Ripple Ua max.	100 mV
Signal type	unidirectional
Switching frequency	40 Hz

**Environmental conditions**

Ambient temperature	0...55 °C
IP rating	IP67
Interference immunity	EN 61000-4-2/3/4/5/6
Storage temperature	-25...75 °C

**Functional safety**

MTTF (40 °C)	85 a
--------------	------

**Interface**

Digital inputs	8x PNP
----------------	--------

**Material**

Housing material	Nickel-plated brass, coated
Housing material, surface protection	coated
Material sensing surface	PC

**Mechanical data**

Dimension	∅ 30 x 106 mm
Installation	non-flush
Offset	±4 mm
Size	M30x1.5
Tightening torque max.	70 Nm
Tightening torque pigtail	0.6 Nm
Weight	160 g

**Range/Distance**

Range	0...5 mm
Transmission distance	0...5 mm

**Inductive Couplers**  
**BIC 2I3-P2A50-M30MI3-SM4ACA**  
**Order Code: BIC000A**



**Remarks**

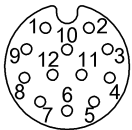
For additional information, refer to user's guide.

Order accessories separately.

For more information about MTTF and B10d see MTTF / B10d Certificate

Indication of the MTTF- / B10d value does not represent a binding composition and/or life expectancy assurance; these are simply experiential values with no warranty implications. These declared values also do not extend the expiration period for defect claims or affect it in any way.

**Connector Drawings**



PIN 1: +24V

PIN 2: 0V

PIN 3:

Input 1

PIN 4:

Input 2

PIN 5:

Input 3

PIN 6:

Input 4

PIN 7:

Input 5

PIN 8:

Input 6

PIN 9:

Input 7

PIN10:

Input 8

PIN11: not used

PIN12: not used